

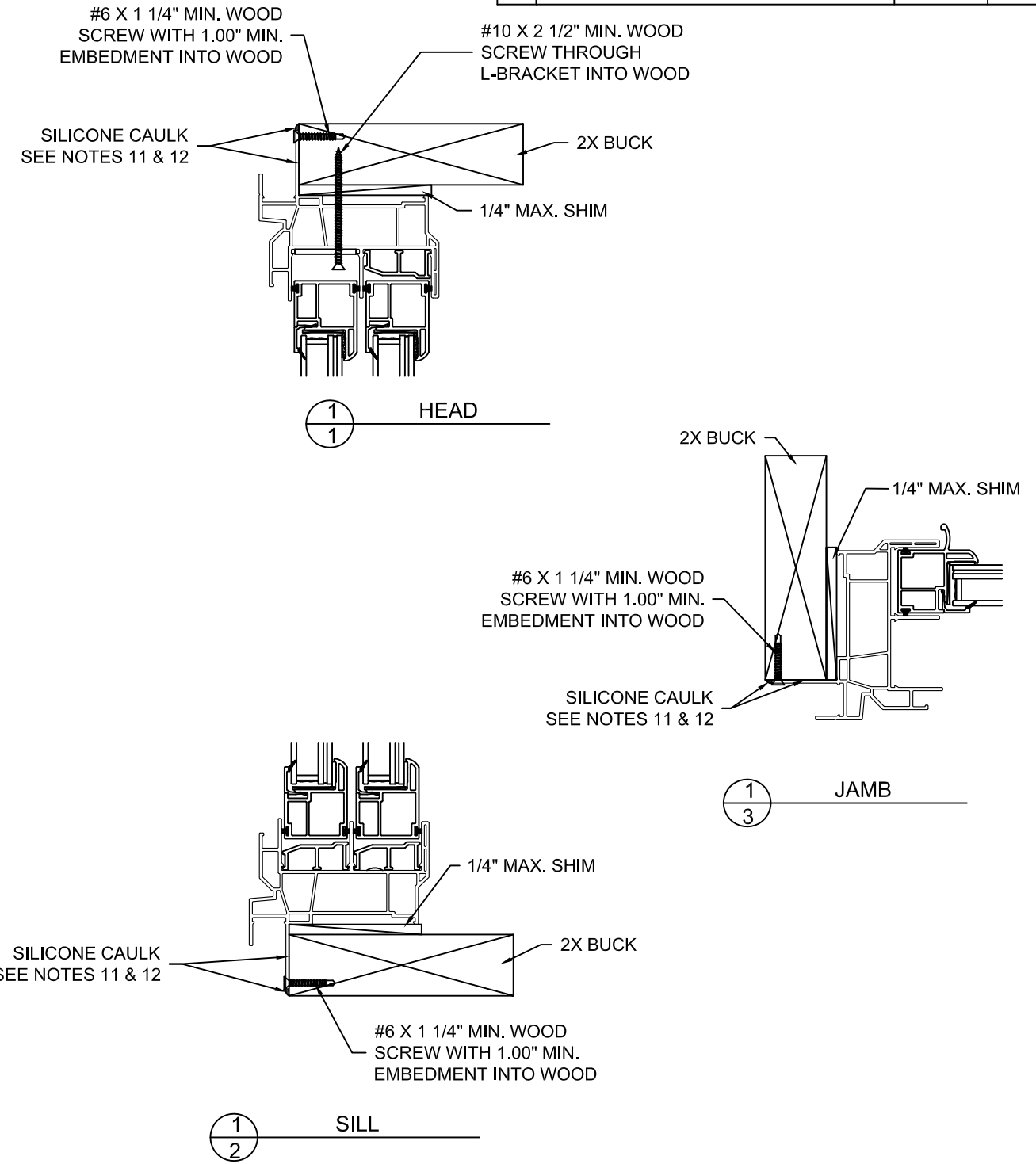
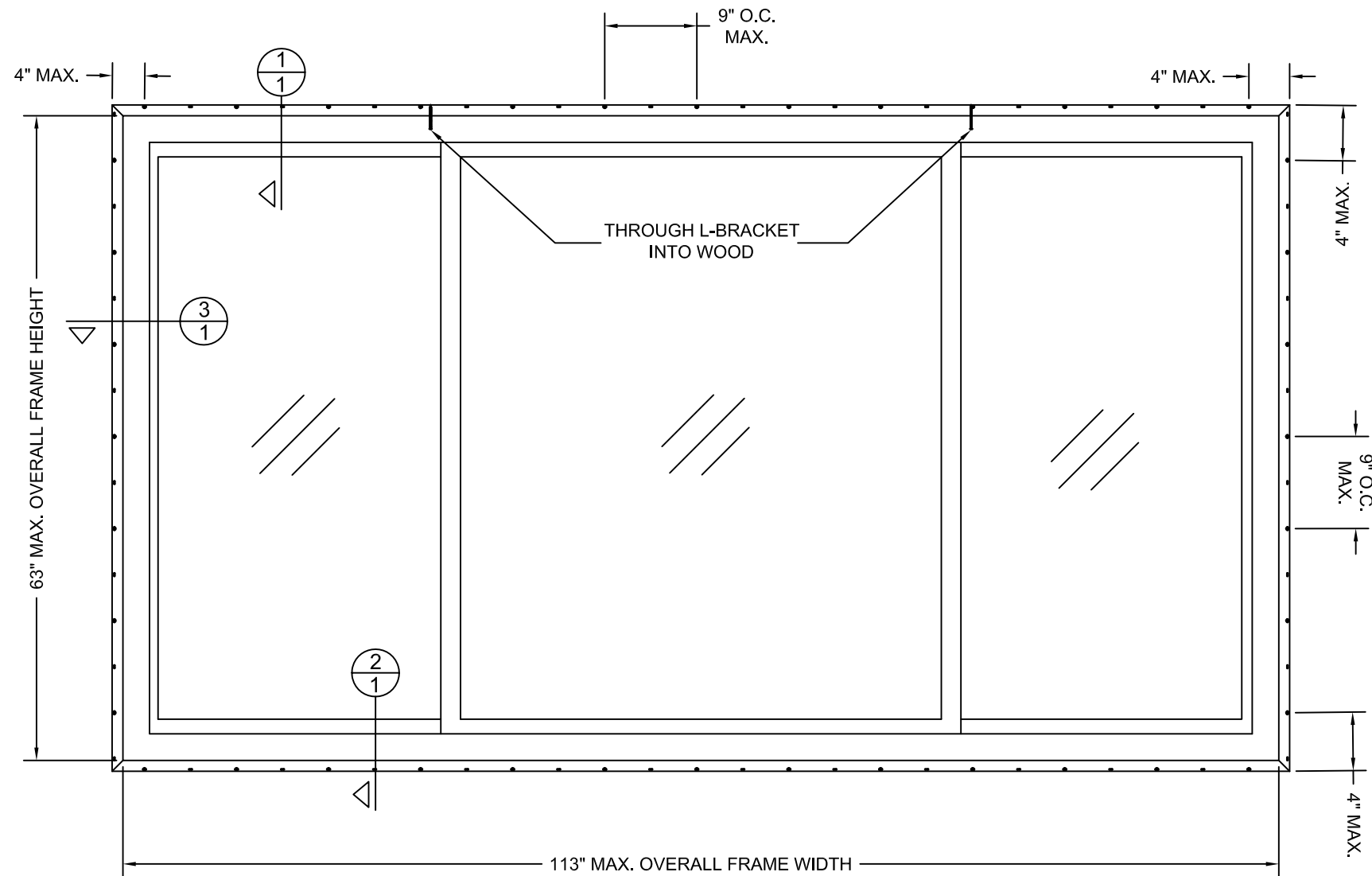
**MODEL DESIGNATION:** Simonton Horizontal Endvent Series 07-20 Vinyl Impact Window  
**MAXIMUM OVERALL NOMINAL SIZE:** 113" x 63"  
**DESIGN PRESSURE RATING:** Positive: 50.0 PSF  
 Negative: 50.0 PSF

**USABLE CONFIGURATIONS:** XOX (Quarter / Half / Quarter)

**GENERAL DESCRIPTION:** The head, sill, and side jambs are extruded PVC. The wall thickness through which the anchor screw penetrates is a minimum of 0.070".

NO P.E. SEAL REQUIRED  
 INSTALLATION SUPPORTED  
 BY AAMA TEST REPORTS

REV. #:	REVISIONS:	REVISED BY:	DATE:
1	UPDATED FOR 7TH EDITION 2020 FBC.	LMH	12/06/20
.	.	.	.
.	.	.	.
.	.	.	.
.	.	.	.



**DISCLOSURE STATEMENT**  
 This document is the property of Simonton Windows, which retains all proprietary and other rights to its subject matter. This document is provided to the recipient on the expressed condition that it is not to be disclosed, reproduced in whole or part, nor used in conjunction with the design, manufacture or repair of goods for anyone other than Simonton Windows without its consent. This restriction does not limit the recipient's rights to utilize information contained in this document which is properly obtained from another source.

MATERIAL:	
RMS FINISH:	EXCEPT AS NOTED
ALLOY & TEMPER:	
WEIGHT:	VOLUME:
SURFACE AREA:	PERIMETER:
FINISH TREATMENT:	

Dimensional Tolerances  
 Unless Otherwise Specified

Decimals	Angles
.X ± .03	0° 30 min.
.XX ± .01	
.XXX ± .005	

**SIMONTON**  
 WINDOWS  
 1 Cochrane Avenue  
 Pennsboro, WV 26415

SIZE: B	DRAWING NO.: IN0588	REV.: 1
DRAWN BY: T.D.D./LMH	DATE: 01/18/17	
CHECKED BY:	DATE:	
SCALE: FIT	SHEET: 1 of 3	APPR'V'D BY: DATE:
SERIES: 07-20 IMPACT ENDVENT (QHQ)		
TITLE: 2X BUCK INSTALLATION (AS TESTED)		

FILE: FL 10160

**MODEL DESIGNATION:** Simonton Horizontal Endvent Series 07-20 Vinyl Impact Window

**MAXIMUM OVERALL NOMINAL SIZE:** 113" x 63"

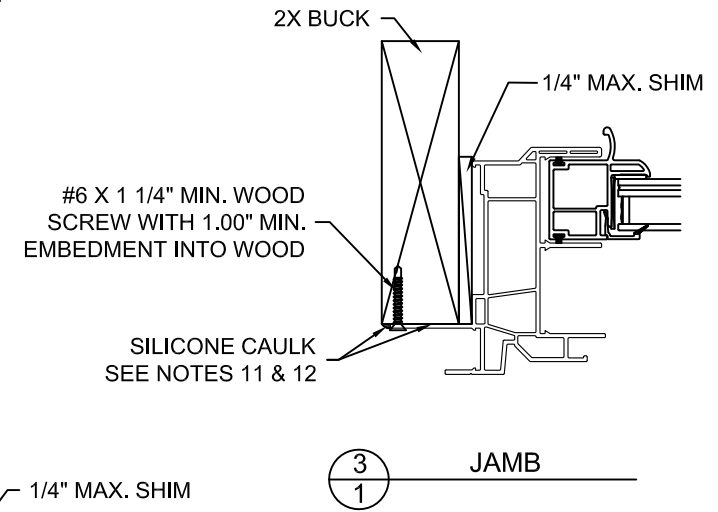
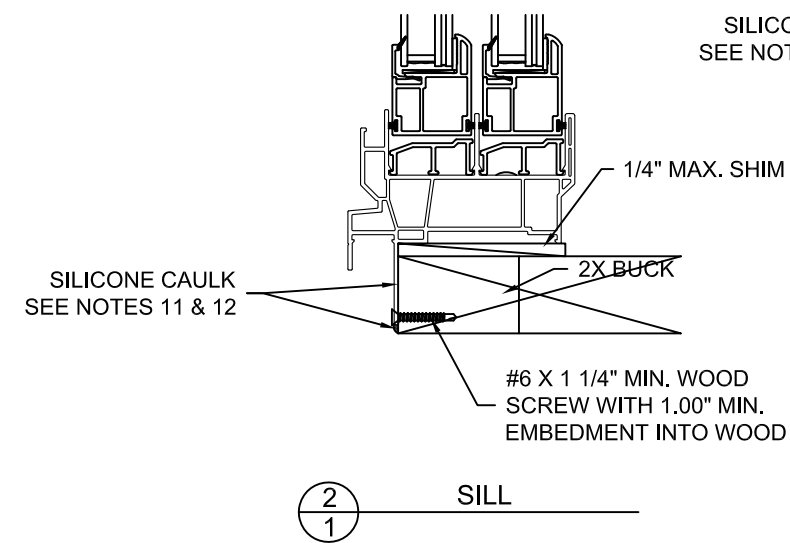
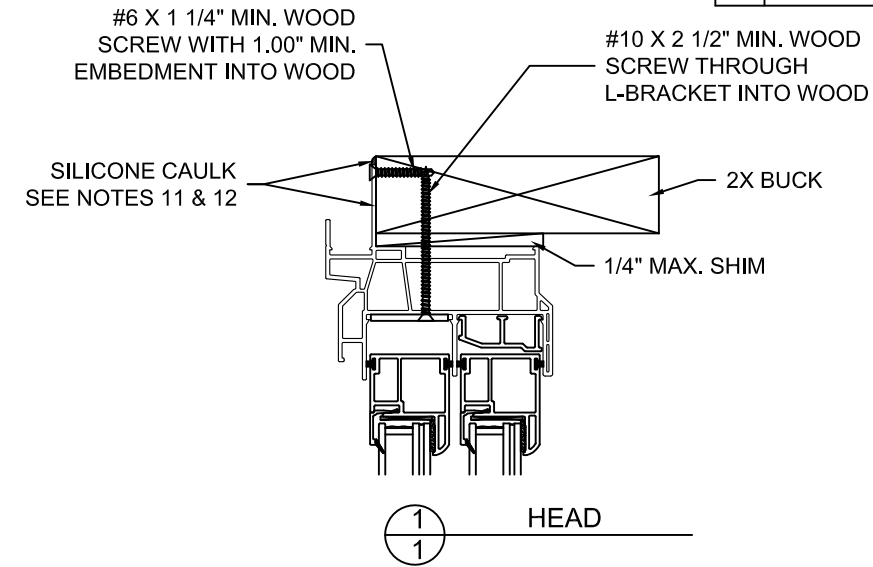
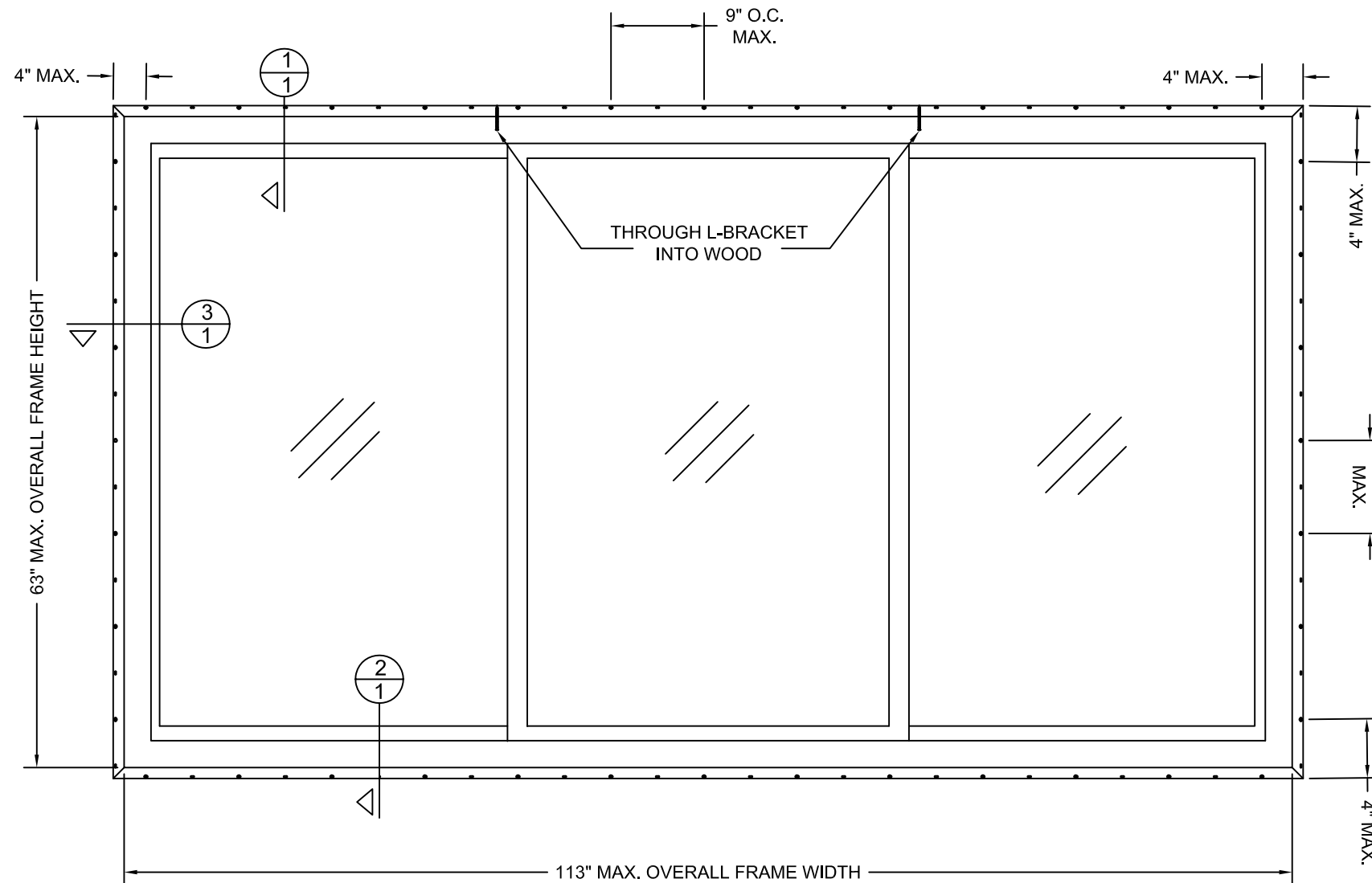
**DESIGN PRESSURE RATING:** Positive: 50.0 PSF  
Negative: 50.0 PSF

**USABLE CONFIGURATIONS:** XOX (Equal Lites)

**GENERAL DESCRIPTION:** The head, sill, and side jambs are extruded PVC. The wall thickness through which the anchor screw penetrates is a minimum of 0.070".

NO P.E. SEAL REQUIRED  
INSTALLATION SUPPORTED  
BY AAMA TEST REPORTS

REV. #:	REVISIONS:	REVISED BY:	DATE:
1	UPDATED FOR 7TH EDITION 2020 FBC.	LMH	12/06/20
.	.	.	.
.	.	.	.
.	.	.	.
.	.	.	.



**DISCLOSURE STATEMENT**  
This document is the property of Simonton Windows, which retains all proprietary and other rights to its subject matter. This document is provided to the recipient on the expressed condition that it is not to be disclosed, reproduced in whole or part, nor used in conjunction with the design, manufacture or repair of goods for anyone other than Simonton Windows without its consent. This restriction does not limit the recipient's rights to utilize information contained in this document which is properly obtained from another source.

MATERIAL:	
RMS FINISH:	EXCEPT AS NOTED
ALLOY & TEMPER:	
WEIGHT:	VOLUME:
SURFACE AREA:	PERIMETER:
FINISH TREATMENT:	

Dimensional Tolerances Unless Otherwise Specified	
Decimals	Angles
.X ± .03	0° 30 min.
.XX ± .01	
.XXX ± .005	

**SIMONTON**  
WINDOWS  
1 Cochrane Avenue  
Pennsboro, WV 26415

SIZE: B	DRAWING NO.: IN0588	REV.: 1
DRAWN BY: T.D.D./LMH	DATE: 01/18/17	
CHECKED BY:	DATE:	
SCALE: FIT	SHEET: 2 of 3	APPR'V'D BY: DATE:
SERIES: 07-20 IMPACT ENDVENT (EQ)		
TITLE: 2X BUCK INSTALLATION (AS TESTED)		

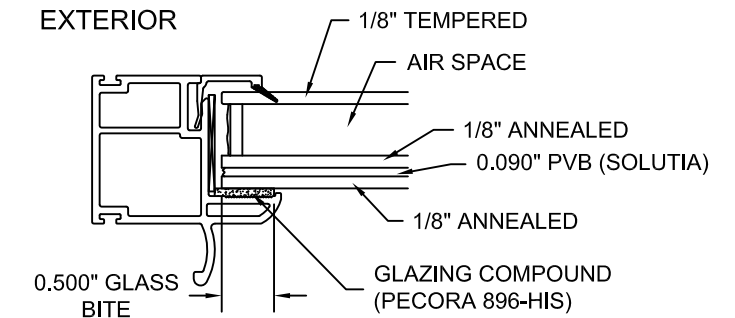
FILE: FL 10160

**MODEL DESIGNATION:** Simonton Horizontal Endvent Series 07-20 Vinyl Impact Window  
**MAXIMUM OVERALL NOMINAL SIZE:** 113" x 63"  
**DESIGN PRESSURE RATING:** Positive: 50.0 PSF  
 Negative: 50.0 PSF  
**USABLE CONFIGURATIONS:** XOX (Quarter / Half / Quarter) and (Equal Lites)  
**GENERAL DESCRIPTION:** The head, sill, and side jambs are extruded PVC. The wall thickness through which the anchor screw penetrates is a minimum of 0.070".

NO P.E. SEAL REQUIRED  
 INSTALLATION SUPPORTED  
 BY AAMA TEST REPORTS

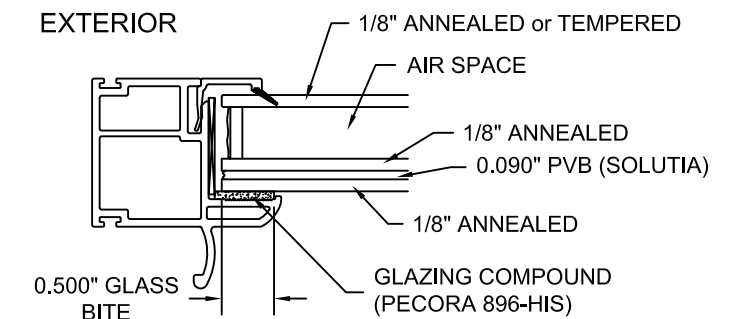
REV. #:	REVISIONS:	REVISED BY:	DATE:
1	UPDATED FOR 7TH EDITION 2020 FBC.	LMH	12/06/20
.	.	.	.
.	.	.	.
.	.	.	.
.	.	.	.

**XOX - Quarter / Half / Quarter**



INTERIOR  
1" INSULATED TEMPERED IMPACT RESISTANT GLASS WITH 0.090" PVB INTERLAYER

**XOX - Equal**



INTERIOR  
1" INSULATED TEMPERED/ANNEALED IMPACT RESISTANT GLASS WITH 0.090" PVB INTERLAYER

**NOTES:**

- THIS INSTALLATION HAS BEEN EVALUATED FOR USE IN LOCATIONS ADHERING TO THE FLORIDA BUILDING CODE AND WHERE DESIGN PRESSURE REQUIREMENTS AS DETERMINED BY ASCE 7 MINIMUM DESIGN LOADS FOR BUILDINGS AND OTHER STRUCTURES DO NOT EXCEED THE DESIGN PRESSURE RATINGS LISTED HEREIN.
- ALL EXTERIOR PERIMETER SURFACES OF THE WINDOW MUST BE CAULKED. INTERIOR CAULKING IS OPTIONAL UNLESS NOTED OTHERWISE.
- ANCHORS SHALL BE SPECIFIED AND SPACED AS SHOWN. ANCHOR EMBEDMENT INTO BASE MATERIAL SHALL BE BEYOND WALL DRESSING OR STUCCO AND INTO WOOD OR CONCRETE.
- WOOD BUCKS (BY OTHERS) MUST BE ENGINEERED AND ANCHORED PROPERLY TO TRANSFER LOADS TO THE STRUCTURE. WOOD BUCKS SHALL BE SPRUCE-PINE-FIR. WOOD MINIMUM SPECIFIC GRAVITY = 0.42 PSI.
- THE RESPONSIBILITY FOR SELECTION OF SIMONTON PRODUCTS TO MEET ANY APPLICABLE LOCAL LAWS, BUILDING CODES, ORDINANCES, OR OTHER SAFETY REQUIREMENTS RESTS SOLELY WITH THE ARCHITECT, BUILDING OWNER, OR CONTRACTOR.
- SHIMS ARE OPTIONAL. MAX. SHIM STACK IS 1/4".
- ANCHOR SCREWS MUST BE A MINIMUM OF 3/4" FROM THE EDGE OF THE WOOD.
- WHEN USED IN AREAS REQUIRING IMPACT PROTECTION, THIS PRODUCT DOES NOT REQUIRE THE USE OF IMPACT RESISTANT SHUTTERS OR OTHER EXTERNAL PROTECTION.
- FLASHING SHOULD BE APPLIED USING THE ASTM E 2112 METHODOLOGY APPROPRIATE FOR THE OPENING INTO WHICH THE WINDOW IS BEING INSTALLED.
- THIS PRODUCT COMPLIES WITH ASTM E 1300-04.
- USE A BACKER ROD ON ALL JOINTS >3/4" DEEP AND/OR WIDER THAN 1/4". FINISHED CAULK JOINT SHOULD BE A MINIMUM OF 3/8" DEEP.
- DESIGNATION "X" AND "O" STAND FOR THE FOLLOWING:  
 X: OPERABLE PANEL      O: FIXED PANEL

<p align="center"><b>DISCLOSURE STATEMENT</b></p> <p>This document is the property of Simonton Windows, which retains all proprietary and other rights to its subject matter. This document is provided to the recipient on the expressed condition that it is not to be disclosed, reproduced in whole or part, nor used in conjunction with the design, manufacture or repair of goods for anyone other than Simonton Windows without its consent. This restriction does not limit the recipient's rights to utilize information contained in this document which is properly obtained from another source.</p>	MATERIAL:	<p align="center">Dimensional Tolerances Unless Otherwise Specified</p> <p>Decimals      Angles</p> <p>.X ± .03 .XX ± .01 .XXX ± .005</p>	<p>1 Cochrane Avenue Pennsboro, WV 26415</p>	SIZE: B	DRAWING NO.: IN0588	REV.: 1
	RMS FINISH: EXCEPT AS NOTED			DRAWN BY: T.D.D./LMH	DATE: 01/18/17	
	ALLOY & TEMPER:			CHECKED BY:	DATE:	
	WEIGHT:      VOLUME:			APPR'V'D BY:	DATE:	
	SURFACE AREA:      PERIMETER:			SCALE: FIT      SHEET: 3 of 3		
FINISH TREATMENT:	SERIES: 07-20 IMPACT ENDVENT					
FILE: FL 10160	TITLE: NOTES & GLAZING DETAILS					